

# Phase sequence Relay Type DRR10

automatic change of wrong Phase sequence

## DRR10



**Part numbers:**  
**P222546**      3x AC 400 V

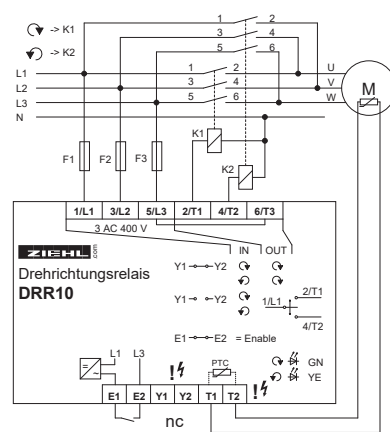
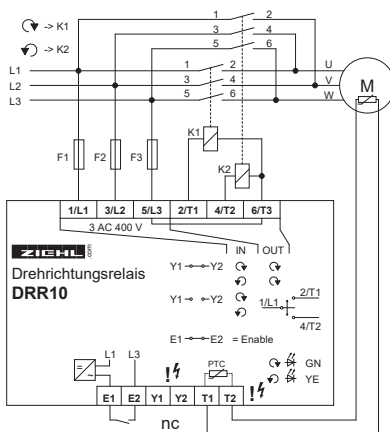
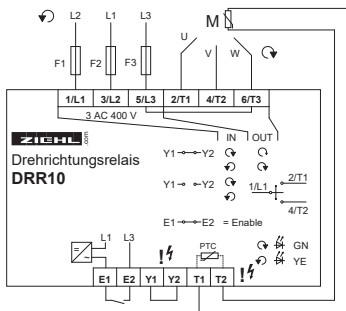
Phase sequence relays DRR10 measure the sequence of the phases when being switched on and switch - if necessary - the rotation of the field by changing 2 phases.

The integrated PTC-monitor protects the motor from overheating.

Applications are especially machines and equipment, that is operated at variable locations e.g. at building sites. Pumps, compressors and vacuum cleaners always run correctly. No more search for faults or change of wiring necessary.

- automatic change of wrong phase-sequence when connected falsely
- running backward of motors is avoided
- integrated PTC-protection for motor
- enable-input for direct switching on/off of the motor with DRR10
- max. 3 x 12 A
- switch-on currents 30 A / max. 4 s / 60 A / max. 1 s
- higher currents with external contactors
- integrated protection for relay contacts
- integrated protection from over-temperature
- housing for mounting in fuse-boxes or switchgear-cabinets, mounting height 55 mm

2



## Technical Data

rated supply voltage  $U_s$   
 admissible tolerance  $U_s$

3 AC 400 V, 50/60 Hz, < 3 VA  
 +10% ... -20%

relay output  
 switching voltage  
 conventional thermal current  $I_{th}$   
 switch-on current (10% on)  
 recommended fuse  
 expected contact life mech.  
 expected contact life electr.

2 x 2 normally opened contacts (no)  
 max. AC 440 V  
 12 A  
 30 A / max. 4 s, 60 A / max. 1 s  
 gG/gL 16 A  
 30 x 10<sup>6</sup> operations  
 1 x 10<sup>6</sup> operations at AC 400 V / 3 A  
 2 x 10<sup>5</sup> operations at AC 400 V / 6 A cosφ 0,5

inputs  
 T1 - T2  
 E1 - E2

without separation of potential from supply-voltage  
 PTC-thermistors according to DIN 44081/44082  
 potential-free contact for AC 400 V

rated ambient temp. range

-20°C...+55°C

housing (H x W x D) mm  
 fitting position  
 attachment

design V4: 90 x 70 x 58 mm  
 any  
 on 35 mm DIN rail according to EN 60715 or  
 2 screws M 4

protection housing/terminals  
 weight

IP 30 / IP 20  
 app. 230 g