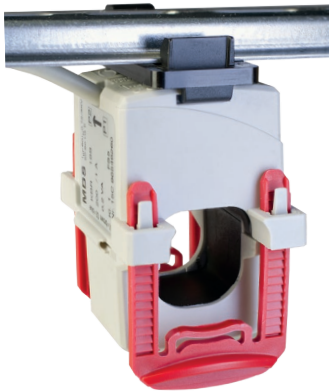


Current transformers for Relay for Energy Flow EFR3000 and EFR4000IP

Split core current transformer KBR18S, 60/1 A, class 3, 0,4 VA

Compact current transformer CTM7, 64/1 A, class 1, 0,5 VA

KBR18S

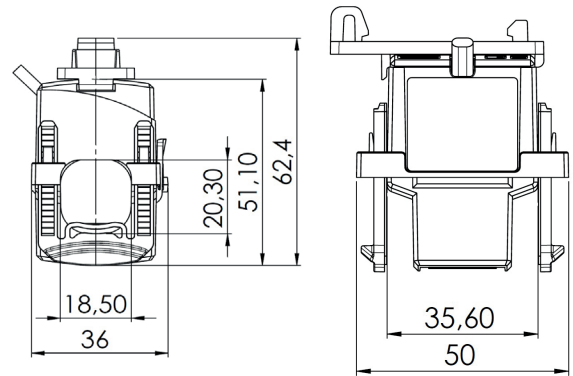


The split core current transformer KBR18S is especially suitable for being subsequently mounted in existing facilities. With its primary 60 A it matches perfectly the 63 A with which domestic connections are usually fused. The secondary 1 A are connected to EFR. The inputs of the EFR are preset for this value. A clip for mounting on DIN-rail is included.

For EFR three current transformers are required.

Order-number:

S225770



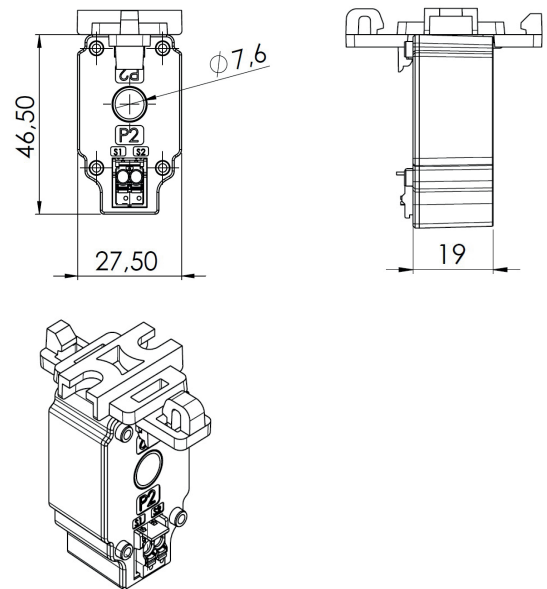
CTM7



The compact current transformer is especially suitable for use in tight space conditions. With its primary 64 A it matches perfectly the 63 A with which domestic connections are usually fused. The secondary 1 A are connected to EFR. The inputs of the EFR are preset for primary currents 60 A, changing is simple. A clip for mounting on DIN-rail is included. The transformers can be clicked together for saving space. For EFR three current transformers are required.

Order-number:

S225780



Technical Data

	KBR18S	CTM7
Applied standards	EN 61869-1, EN 61869-2 und IEC 61010-1	EN 61869-1, EN 61869-2 und IEC 61010-1
Primary nominal current	60 A	64 A
Secondary nominal current	1 A	1 A
Accuracy class	3	1
Rated power	0,4 VA	0,5 VA
Operating temperature	-5...+40 °C	-5...+50 °C
Dimensions (w x h x d)	36,0 x 50 x 51,1 mm	27,5 x 19 x 46,5 mm
Diameter of cable	max. 18,5 mm (isolated wire only)	max. 7,5 mm (isolated wire only)
Connection	cable 2,5 m 0,5 mm ²	Terminals 0,2...1,5 mm
Attachment	on 35 mm DIN rail or with screws	on 35 mm DIN rail or with screws
Weight	ca. 180 g	ca. 47 g